

8-10kW¹ Technical Specs

Small is Smarter

The compact 8kW¹-10kW¹ Home Generator System by GE has the smallest standby generator footprint of its class. Its unobtrusive design, convenient placement options³ and comprehensive warranty make it the best choice for your customers with small to medium properties. Plus, each model includes a convenient basic wireless monitor.

The 8kW¹ home generator system keeps the essentials powered in your customer's home. The 10kW¹ home generator system provides enough power for more than just the essentials by managing up to 8 appliances with Symphony® II Power Management.

Give your customers peace of mind with GE Generator Systems. The smart choice.

To learn more, visit www.GEGenerators.com



Features and Benefits

- 4 Year Parts and Labor Limited Warranty² - one of the best in the industry!
- Complete package from GE Generator Systems (generators, transfer switches and accessories)
- Long-lasting durability
- Service-friendly access points
- Designed around your protection (NFPA 37 Rated)
- Operating temperature -20° - 104°F (-28.8° - 40°C)

Liquid Propane (LP) Gas		Natural Gas		Generator Set Ratings				
kW ¹	Amps	kW ¹	Amps	Voltage	Power Factor	Phase	Hz	Breaker
8.0	33.3	6.0	25.0	120/240	1.0	1	60	35A
10.0	41.7	9.0	37.5	120/240	1.0	1	60	50A





Smallest Standby Generator.



We offer a comprehensive parts and labor, 4-year limited warranty², so you can be assured of our commitment to quality. And your pocketbook.



Our 8kW¹/10kW¹ standby generators can be placed as close as 18" from the home in accordance with National Fire Protection Agency testing standard³. Our 8kW¹/10kW¹ standby generators are the best choice for homeowners with tight lot lines.



Includes a wireless monitor for inside your home, so homeowners know their generator is working without having to go outside.



Newly designed for standby applications, Briggs & Stratton® engines deliver improved reliability, performance and durability to meet your power demands during a power outage.

Engine Specifications

Engine Model	Briggs & Stratton® (8kW) Vanguard™ (10kW)
Engine Model Type Trim Number	319775-0109e1 / 359775-1112e1
Engine Type	4-Cycle
Engine Cylinder Configuration	OHV
Number of Cylinders	1 (8kW), 2 V-Twin (10kW)
Displacement (ltr / cu.in.)	31 / 500, 35 / 570 CC
Bore (in)	3.56 / 2.83
Stroke (in)	3.06 / 2.76
Engine Weight (lbs)	66 / 79 lbs
Engine Fuel	Liquid Propane (LP) Gas / Natural Gas
Induction System	Naturally Aspirated
Starter	Electric
Valves	OHV with Hardened Seats
Air Filter Type	Standard, UL Approved
Governor Type	Mechanical
Frequency Regulation	+/-0.5%
Start Type	Automatic
Lubrication System	Full Pressure
Recommended Oil	5W30 Full Synthetic
Oil Capacity (oz.)	48 / 57.5 oz
Oil Cooler	10kW Only
Low Oil Pressure Sensor	Yes
Cooling System Type	Air-cooled
CARB Compliant	Yes

Transfer Switch Specifications (Package Options)

Current Rating	50A (8kW), 100A 16 circuit, 100A or 200A (10kW)
UL Approved	Yes
Voltage Ratings	120/240
Wired Whip	No
Number of Protected Circuits	10 Circuit or 16 Circuit or Whole House

Weight and Dimensions	8kW ¹	10kW ¹
Assembled Weight (lbs)	252	272
Assembled Dimensions (L x D x H)	28 x 24.4 x 33.5"	
Packaged Weight Without Transfer Switch (lbs)	310	330
Packaged Dimensions (L x D x H)	39 x 35.5 x 42"	

LP Gas Fuel Consumption ⁴	8kW ¹	10kW ¹
100% Load (ft ³ /hr / gal/hr)	56.4 / 1.57	65.6 / 1.82
50% Load (ft ³ /hr / gal/hr)	37.6 / 1.04	42.8 / 1.18

NG Fuel Consumption ⁴	8kW ¹	10kW ¹
100% Load (ft ³ /hr)	121	169
50% Load (ft ³ /hr)	94	111

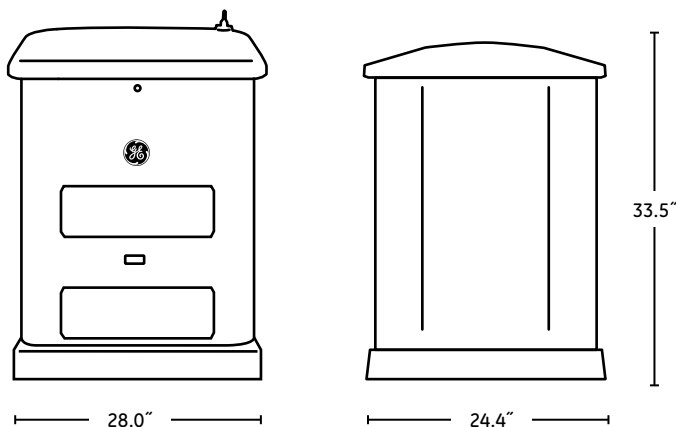
Other Features

Enclosure Material	Galvanized with Corrosion Resistant Paint
Overcrank Protection	Yes
Engine Warm-up (min)	20s or 50s ATS Jumper Controlled
Engine Cool Down (min)	1 min.
Response Time (min)	26s or 56s ATS Jumper Controlled
2 Wire Sensing	Yes
Continuous Battery Charging	Yes
Battery	12V, Not included. BCI size 26, battery min 540 CCA; Below 30°F: BCI size 24F battery, min 800 CCA
Monitoring	Wireless, Basic

Sound Rating at 7 Meters, per ISO 3744	8kW ¹	10kW ¹
Exercise (dBA)	75.6	71.3
3kW ¹ Load (dBA)	76.8	72.3
Full ¹ Load (dBA)	79	75.4

Certifications

UL	Yes
cUL	Yes



Alternator Specifications

Manufacturer	Briggs & Stratton®
Type	Self-Excited, Rotating Field
Brushed/Brushless Alternator	Brushed
Voltage Regulation	Automatic
Number of Poles	2
Insulation	Class F

Controller Features

Hour Meter	Yes
Weekly Exerciser	Yes



Controller Fault Codes

Diagnostic alerts are communicated on the control panel and through the Basic Wireless Monitor. When a fault code issue arises, the Basic Wireless Monitor's Service Needed light will blink. The number of blinks represent the fault code issue.	<ol style="list-style-type: none"> 1. Low Oil Shutdown 2. Engine Does Not Start 3. Low Frequency 4. Engine Overspeed 5. Low Voltage 6. Low Battery Voltage 7. Engine Temp High 8. Transfer Switch Fault
--	---

Limited Warranty²

Consumer Warranty (Product)	4 Years Limited Parts and Labor
------------------------------	---------------------------------

Not for Prime Power or use where standby systems are legally required, for serious life safety or health hazards, or where lack of power hampers rescue of fire-fighting operations.

¹ This generator is rated in accordance with UL (Underwriters Laboratories) 2200 (stationary engine generator assemblies) and CSA (Canadian Standards Association) standard C22.2 No. 100-04 (motors and generators).

² Warranty details available at powermoreforless.com

³ Installations must strictly comply with all applicable codes, industry standards, laws, regulations and provided installation manual. Running engines give off carbon monoxide, an odorless, colorless, poisonous gas so it is important to keep exhaust gas away from any windows, doors, ventilation intakes or crawl spaces. The installation manual contains specific instructions related to generator placement in addition to NFPA 37, including the requirement that carbon monoxide detectors be installed and maintained in your home.

⁴ Fuel consumption rates are estimated based on normal operating conditions. Generator operation may be greatly affected by elevation and the cycling operation of multiple electrical appliances - fuel flow rates may vary depending on these factors.

Why Choose GE?

A GE whole house generator, with our ground-breaking Symphony® II Power Management, has the flexibility to automatically direct backup electricity to any appliance, light, TV or computer in a home. And unlike conventional backup power systems that may only provide access to 50% of a home's power needs, Home Generator Systems by GE can power more of a home with a smaller, more fuel-efficient, smarter generator.

Warranty

The 4 Year Limited Parts and Labor warranty² is one of the best comprehensive parts and labor warranties in the industry.

Complete Package

With GE Generator Systems, you can save time and money by ordering the complete package including transfer switch, generator and accessories.

Reliable

GE is a name your customers know and trust. You can be confident that each installed Standby Generator System will perform for many years.

Order Your Way

Ready to place an order? Our team is ready to help.

Rely on us and call 1-87-RELY-ON-US to order.

Transfer Switch	8kW ¹	10kW ¹
50A, 10 circuit	040444	NA
100A, 16 circuit	NA	040452
100A Symphony® II	NA	040447
200A Symphony® II	NA	040446
200A Symphony® II & (2) 50A Modules	NA	040448



Is a trademark of General Electric Company and is under license by Briggs & Stratton Corporation
Post Office Box 702
Milwaukee, WI 53201 USA

Assembled in USA

Included Extras

Each system includes a basic wireless monitor, hour meter, battery charger and oil.

Transfer Switches

50 Amp, 10 Circuit Transfer Switch

GE 8kW¹ home generator system operates with our 50 Amp, 10 Circuit transfer switch that powers your home's essential circuits. The NEMA 3R rated transfer switch can be installed both inside and outside the home.

Symphony® II Transfer Switch (10kW¹ only)

GE 10kW¹ home generator system operates with our 100 Amp or 200 amp Symphony® II transfer switch. This transfer switch features advanced power management control that provides the flexibility to manage 8 high wattage appliances, with a smaller generator. The NEMA 3R rated transfer switch can be installed both inside and outside the home.

Modules

Symphony® II Modules (10kW¹ only)

The Symphony® II modules work within the Symphony® II Power Management System communicating via existing wires with your generator turning prioritized appliances on/off based on homeowner need and generator load. The modules can be placed inside or outside the home for a customized installation for your customers' power needs.

Available Accessories

Maintenance Kit

Maintenance kits help you complete scheduled and preventative maintenance on your standby generator. Designed specifically for your generator's needs, each maintenance kit contains oil and air filters, an oil funnel and spark plug(s).

Cold Weather Kit

Helps ensure smooth operation in the winter months with the Briggs & Stratton® Cold Weather Kit for GE Generator Systems. The thermostatically controlled battery warmer and oil heater activate as the temperature drops helping the standby generator operate in colder temperatures. The 8kW¹-10kW¹ home generator systems using this kit have been tested to start as low as -20°F. Kit includes two oil warmers and one battery warmer.

Briggs & Stratton Corp. reserves the right to make changes in specifications and features shown herein, or discontinue the product described at any time without notice or obligation.

GESB00104-7/13