

Energy Efficient Automatic Home Generator Systems

17-20kW¹ Technical Specs

Stronger. Quieter. Smarter.

Help your customers outsmart mother nature with our new 17kW¹/20kW¹ Home Generator System. It's our smartest generator yet. Featuring advanced features that meet rigorous industry fire protection standards, and a unique air flow design makes this our quietest 17kW¹/20kW¹ generator yet.

Perfect for medium-size and large homes, the 17kW¹ and 20kW¹ Home Generator Systems by GE allow you to "Power More for Less." The patented Symphony[®] II Power Management System allows your customer to manage the power needs of their whole house – including up to eight high wattage appliances – without the need for a larger more expensive unit.

Give your customers peace of mind with GE Generator Systems. The smart choice.

To learn more, visit www.GEgenerators.com



Features and Benefits

- 17,000 - 20,000 Watt¹
- 5 Year Parts and Labor Limited Warranty² - one of the best in the industry!
- Complete package from GE Generator Systems (generators, transfer switches and accessories)
- Long-lasting durability
- Service-friendly access points
- Commercial-grade Vanguard™ engine
- Designed around your protection
- Operating temperature -25° - 104°F (-28.8° - 40°C)

Liquid Propane (LP) Gas		Natural Gas		Generator Set Ratings				
kW ¹	Amps	kW ¹	Amps	Voltage	Power Factor	Phase	Hz	Breaker
17.0	70.8	15.3	63.8	120/240	1.0	1	60	80A
20.0	83.3	18.0	75.0	120/240	1.0	1	60	100A



imagination at work





Our smartest generator yet.



The longest, most comprehensive limited warranty in the industry. No one else offers a 5-year limited parts and labor warranty², so you can be assured of our commitment to quality. And to your pocketbook.



Thoroughly tested against rigorous National Fire Protection Agency standards, this is the only 17/20kW¹ standby generator with an all-steel enclosure and all-steel base, so it can withstand temperatures more than double that of aluminum and far beyond that of plastic. With an external, automatic gas shut-off valve, low pressure regulator and the only thermally protected fuel system found on any 17/20kW¹ standby in the industry, we've raised the bar on protecting your home and family.³



Proven to deliver non-stop reliability, our 17 and 20kW¹ standby generators are powered by premium-grade Vanguard™ engines that are developed for tough commercial applications.



Includes a wireless monitor for inside your home, so you know your generator is working without having to go outside.

Engine Specifications

Engine Model	Briggs & Stratton Vanguard™
Engine Model Type Trim Number	613275-0118-B1
Engine Type	V-Twin, 4-Cycle
Engine Cylinder Configuration	OHV
Number of Cylinders	2, V-Twin
Displacement (ltr / cu.in.)	60.6 / 993
Bore (in)	3.37
Stroke (in)	3.41
Engine Weight (lbs)	125
Engine Fuel	Liquid Propane (LP) Gas/ Natural Gas
Induction System	Naturally Aspirated
Starter	Electric Solenoid Shift
Valves	OHV with Hardened Seats
Air Filter Type	Dry Cartridge, UL Approved
Governor Type	Electronic
Frequency Regulation	+/-0.5%
Start Type	Automatic
Lubrication System	Full Pressure
Recommended Oil	5W30 Full Synthetic
Oil Capacity (oz.)	78
Oil Cooler	Yes
Low Oil Pressure Sensor	Yes
Cooling System Type	Air-cooled
CARB Compliant	Yes

Transfer Switch Specifications (Package Options)

Current Rating	200A or 2 x 200A(20kW ¹ Only)
UL Approved	Yes
Voltage Ratings	120/240
Wired Whip	No
Number of Protected Circuits	Whole House

Weight and Dimensions	17kW ¹	20kW ¹
Assembled Weight (lbs)	484	500
Assembled Dimensions (L x D x H)	47 x 29 x 31" (Base 50.5 x 32.9")	
Packaged Weight (lbs)	564	580
Packaged Dimensions (L x D x H)	72 x 36 x 39"	

LP Gas Fuel Consumption ⁴	17kW ¹	20kW ¹
100% Load (ft ³ /hr / gal/hr)	118 / 3.28	135 / 3.75
50% Load (ft ³ /hr / gal/hr)	74 / 2.06	83 / 2.31

NG Fuel Consumption ⁴	17kW ¹	20kW ¹
100% Load (ft ³ /hr)	248	260
50% Load (ft ³ /hr)	170	187

Other Features

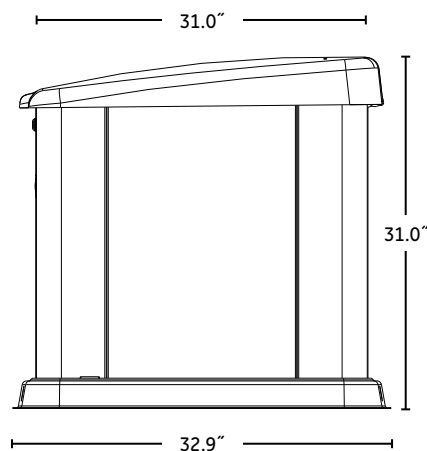
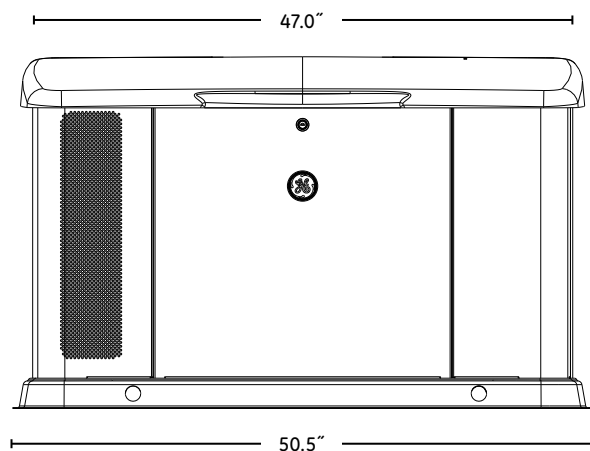
Enclosure Material	Galvanned with Corrosion Resistant Paint
Overcrank Protection	Yes
Engine Warm-up (min)	20s or 50s ATS Jumper Controlled
Engine Cool Down (min)	1 min.
Response Time (min)	26s or 56s ATS Jumper Controlled
2 Wire Sensing	Yes
Continuous Battery Charging	Yes
Battery	12V, Not included. BCI size 26, battery min 540 CCA; Below 0°F: BCI size 75 battery, min 630 CCA
Monitoring	Wireless, Basic

Sound Rating at 7 Meters, per ISO 3744

Exercise (dBA)	68.4
5kW ¹ Load (dBA)	69.1
10kW ¹ Load (dBA)	70.8

Certifications

UL	Yes
cUL	Yes



Alternator Specifications

Manufacturer	Briggs & Stratton
Type	Self-Excited, Rotating Field
Brushed/Brushless Alternator	Brushed
Voltage Regulation	Automatic
Number of Poles	2
Insulation	Class F
Brushed/Brushless Alternator	Brushed

Controller Features

Hour Meter	Yes
Weekly Exerciser	Yes



Controller Fault Codes

Remote System Status alerts are communicated to a small wall mountable display with a light indicator and a quick reference to the codes on the generator. The number of blinks represent the fault code issue.

1. Low Oil Shutdown
2. Engine Does Not Start
3. Low Frequency
4. Engine Overspeed
5. Low Voltage
6. Low Battery Voltage
7. Engine Temp High
8. Transfer Switch Fault

Limited Warranty²

Warranty Duration (Product)	5 Years
------------------------------	---------

Not for Prime Power or use where standby systems are legally required, for serious life safety or health hazards, or where lack of power hampers rescue of fire-fighting operations.

¹ This generator is rated in accordance with UL (Underwriters Laboratories) 2200 (stationary engine generator assemblies) and CSA (Canadian Standards Association) standard C22.2 No. 100-04 (motors and generators)

² Warranty details available at powermoreforless.com

³ Installations must strictly comply with all applicable codes, industry standards, laws, regulations and provided installation manual. Running engines give off carbon monoxide, an odorless, colorless, poisonous gas so it is important to keep exhaust gas away from any windows, doors, ventilation intakes or crawl spaces. The installation manual contains specific instructions related to generator placement in addition to NFPA 37, including the requirement that carbon monoxide detectors be installed and maintained in your home

⁴ Fuel consumption rates are estimated based on normal operating conditions. Generator operation may be greatly affected by elevation and the cycling operation of multiple electrical appliances - fuel flow rates may vary depending on these factors.

Why Choose GE?

A GE whole house generator, with our ground-breaking Symphony® II Power Management, has the flexibility to automatically direct backup electricity to any appliance, light, TV or computer in a home. And unlike conventional backup power systems that may only provide access to 50% of a home's power needs, Home Generator Systems by GE can power more of a home with a smaller, more fuel-efficient, smarter generator.

Warranty

The 5-year limited warranty² is one of the best comprehensive parts and labor warranties in the industry.

Complete Package

With GE Generator Systems, you can save time and money by ordering the complete package including transfer switch, generator and accessories.

Reliable

GE is a name your customers know and trust. You can be confident that each installed Standby Generator System will perform for many years.

Order Your Way

Ready to place an order? Our team is ready to help.

Rely on us and call 1-87-RELY-ON-US to order.

Included Extras

Each system includes an integrated system status panel, hour meter, battery charger and oil.

Transfer Switches

Symphony® II Transfer Switch

GE single-phase generator systems operate with our Symphony® II transfer switch. This transfer switch features advanced power management controls that provide the flexibility to manage all powered applications and products in your business including up to 8 high wattage items, with a smaller generator. The NEMA 3R rated transfer switch can be installed both inside and outside the business.

Modules

Symphony® II Modules

The Symphony® II modules work within the Symphony® II Power Management System communicating via existing wires with your generator turning prioritized appliances on/off based on homeowner need and generator load. The modules can be placed inside or outside the home for a customized installation for your customers' power needs.

Available Accessories

Maintenance Kit (6036)

Maintenance kits help you complete scheduled and preventative maintenance on your standby generator. Designed specifically for your generator's needs, each maintenance kit contains oil and air filters, an oil funnel and spark plugs.

Cold Weather Kit (6231)

Ensure smooth operation in the winter months with the Briggs & Stratton® Cold Weather Kit for GE Generator Systems. The thermostatically controlled battery warmer and oil heater activate as the temperature drops helping the standby generator operate in colder temperatures. The 17kW¹/20kW¹ home generator systems using this kit have been tested to start as low as -25°F. Kit includes two oil warmers and one battery warmer.

Transfer Switch	17kW ¹	20kW ¹
100A Whole House	-	-
200A Whole House	040378	040377
2x200A/400A Whole House	-	040383



Is a trademark of General Electric Company and is under license by Briggs & Stratton Corporation
Post Office Box 702
Milwaukee, WI 53201 USA

Assembled in USA

Briggs & Stratton Corp. reserves the right to make changes in specifications and features shown herein, or discontinue the product described at any time without notice or obligation.

GESB00103-8/13