

# 17 & 20kW<sup>1</sup> Standby Generator



## Briggs & Stratton<sup>®</sup> The Smart Choice

Durable backup power for businesses and luxury homes. Help eliminate losses from power outages with a Briggs & Stratton<sup>®</sup> Commercial Standby Generator.



Parts • Labor • Travel  
Limited  
Warranty

### Unique Airflow Technology

- Making these models 50% quieter than most portable generators
- The unique design pushes engine exhaust out the front, directly away from your home

### Flexible Placement

- Approved for installation as close as 18" to a building<sup>2</sup>

### Symphony<sup>®</sup> II Power Management System

- Customizable to your home's needs
- Automatically balances the power of your home's electrical load including high wattage items like air conditioning units and electric ovens
- Offers whole house power with a more affordable home generator

### Commercial-Grade Briggs & Stratton Vanguard<sup>™</sup> Engine

- Powerful V-Twin OHV engine
- Easy conversion between natural gas (NG) and liquid propane vapor (LP) during installation

### Quality Clean Power

- Ensures your electronics are safely powered

### Corrosion Resistant Enclosure and Base Options:

- Automotive grade galvanized steel enclosure and base
- Aluminum enclosure and stainless steel base certified to withstand hurricane-force winds up to 175 mph
- Both options utilize powder-coated paint for years of protection against chips and abrasions



### Generator Set Rating

Model	Enclosure Type	Voltage	Phase	Hz	Breaker	Liquid Propane		Natural Gas		Limited Warranty <sup>3</sup>
						LP kW	LP Amps	NG kW	NG Amps	Parts, Labor, Travel
17 kW Briggs & Stratton 040549	Galvaneel	120/240	1	60	80	17	70.8	15.3	63.8	5 Year
20kW Briggs & Stratton 040336	Galvaneel	120/240	1	60	100	20	83.3	18	75	5 Year
20kW Briggs & Stratton 040574	Aluminum	120/240	1	60	100	20	83.3	18	75	5 Year

<sup>1</sup> This generator is rated in accordance with UL (Underwriters Laboratories) 2200 (stationary engine generator assemblies) and CSA (Canadian Standards Association) standard C22.2 No. 100-04 (motors and generators).

<sup>2</sup> The installation manual contains specific instructions related to generator placement in addition to NFPA 37, including the requirement that carbon monoxide detectors be installed and maintained in your home.

<sup>3</sup> Warranty details available at [www.briggsandstratton.com](http://www.briggsandstratton.com)



### Engine Specifications

Engine	
Engine Model	Briggs & Stratton Vanguard™
Engine Model Type Trim Number	613275-0003-E1
Engine Speed (RPM)	3600
Engine Fuel	Liquid Propane (LP) or Natural Gas (NG)
Engine Cylinder Configuration	OHV
Number of Cylinders	2
Displacement (cc)	60.6 / 993
Bore & Stroke (in)	3.37 / 3.41
Compression Ratio	8.5:1
Governor Type	Electronic
Frequency Regulation	+/- 1 Hz
Valves	OHV with Hardened Seats
Ignition System	Fixed timing Magnetron <sup>†</sup> Electric Ignition
Starter Motor Rating Voltage	12 Volt
Battery	12 Volt

Lubrication	
Oil Capacity (oz)	79
Lubrication System	Full Pressure
Recommended Oil	5W30 Full Synthetic
Low Oil Pressure Sensor	Yes

Alternator Specs	
Manufacturer	Briggs & Stratton
Type	Self-Excited, Rotation Field
Voltage Regulator	Automatic
Insulation	Class F

Controller Features	
Hour Meter	Yes
LED Digital Display	Yes
Fault Code Display	Yes
Weekly Exerciser	Yes

### Operations

		Fuel Consumption <sup>1</sup>			
		50% Load		100% Load	
17kW	Liquid Propane	74 ft <sup>3</sup> / hr	2.06 gal / hr	118 ft <sup>3</sup> / hr	3.28 gal / hr
	Natural Gas	170 ft <sup>3</sup> / hr	—	248 ft <sup>3</sup> / hr	—
20kW	Liquid Propane	83 ft <sup>3</sup> / hr	2.31 gal / hr	135 ft <sup>3</sup> / hr	3.75 gal / hr
	Natural Gas	187 ft <sup>3</sup> / hr	—	260 ft <sup>3</sup> / hr	—

Sound Rating At 7 Meters	
17kW	20kW
64 dBA	64 dBA

Lowest measurement of 12 microphones around generator. Sound level measurement at other locations around generator may be different depending upon installation configuration.

<sup>1</sup> Fuel consumption rates are estimated based on normal operating conditions. Generator operation may be greatly affected by elevation and the cycling operation of multiple electrical appliances – fuel flow rates may vary depending on these factors.



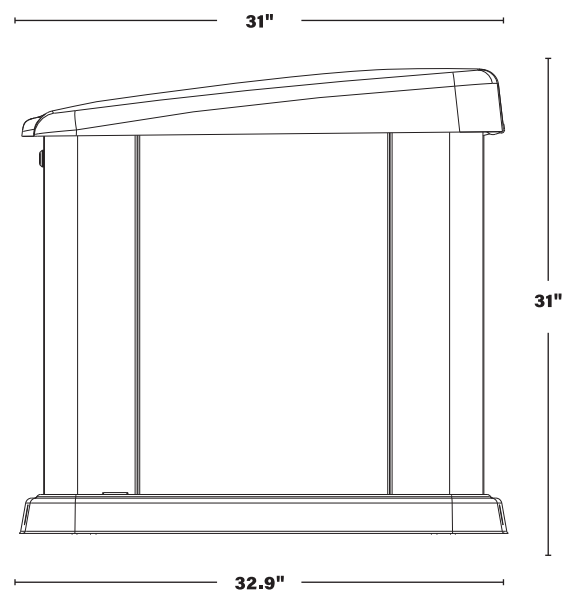
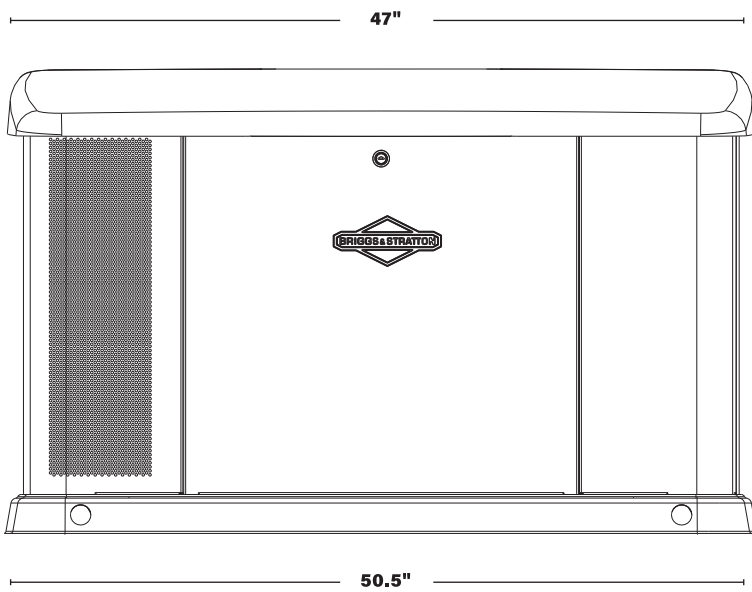
**Additional Information**

Other Features	
<b>Enclosure Material</b>	Galvanneal Steel or Aluminum
<b>Overcrank Protection</b>	Yes
<b>Engine Warm Up (sec)</b>	20 or 50 Automatic Transfer Switch Controlled
<b>Engine Cool Down (min)</b>	1
<b>Response Time (sec)</b>	26 or 56 Automatic Transfer Switch Controlled
<b>Monitoring Options</b>	Basic Wireless Monitor InfoHub™ Monitor
<b>Continuous Battery Charging</b>	Yes

Weight and Dimensions		
	17kW	20kW
<b>Assembled Weight (lbs)</b>	484	500
<b>Overall Dimensions (in)</b>	50.5 x 32.9 x 31	50.5 x 32.9 x 31
<b>Packaged Weight (lbs)</b>	597	613
<b>Packaged Dimensions (in)</b>	68.1 x 41 x 39.5	68.1 x 41 x 39.5

Certification	
<b>CARB Compliant</b>	Yes
<b>NFPA Approved</b>	Yes
<b>cUL Listed to CSA 22.2 NO 100-04</b>	Yes
<b>NEMA Compliant</b>	Yes
<b>EPA Certified Fuel System</b>	Yes

Available Accessories	
<b>Maintenance Kit</b>	6035
<b>Cold Weather Kit</b>	6231
<b>Basic Wireless Monitor</b>	6264
<b>InfoHub</b>	6260
<b>Remote Status Monitor</b>	6144





Fuel Pipe Size Recommendation Chart (Capacity in Thousands of BTU/Hour)

Natural Gas / Inlet Pressure less than 2 PSI / Pressure Drop 1/2" Water Column / Specific Gravity 0.60

	1/2" pipe capacity	3/4" pipe capacity	1" pipe capacity	1-1/4" pipe capacity	1-1/2" pipe capacity	2" pipe capacity
<b>20' Length*</b>	118	247	466	957	1,430	2,760
<b>40' Length*</b>	81	170	320	657	985	1,900
<b>60' Length*</b>	65	137	257	528	791	1,520
<b>80' Length*</b>	56	117	220	452	677	1,300
<b>100' Length*</b>	50	104	195	400	600	1,160

Liquid Propane / Inlet Pressure 11" Water Column / Pressure Drop 1/2" Water Column / Specific Gravity 1.50

	1/2" pipe capacity	3/4" pipe capacity	1" pipe capacity	1-1/4" pipe capacity	1-1/2" pipe capacity	2" pipe capacity
<b>20' Length*</b>	200	418	788	1,617	2,423	4,666
<b>40' Length*</b>	137	287	541	1,111	1,665	3,207
<b>60' Length*</b>	110	231	435	892	1,337	2,575
<b>80' Length*</b>	101	212	400	821	1,230	2,370
<b>100' Length*</b>	101	212	400	821	1,230	2,370

Additional Information

Transfer Switch Specifications

<b>Prewired 16 Circuit</b>	100 AMP	Model 071076
<b>Standard 16 Circuit</b>	100 AMP	Model 071047
<b>Symphony<sup>®</sup> II</b>	100 AMP	Model 071071
<b>Symphony<sup>®</sup> II</b>	150 AMP	Model 071070
<b>Symphony<sup>®</sup> II</b>	200 AMP	Model 071068
<b>Symphony<sup>®</sup> II Dual 200 Amp</b>	2x200/400	Model 071057
<b>Voltage Rating</b>	120/240	
<b>Number of Protected Circuits</b>	Select Circuit:16 Symphony <sup>®</sup> II: Whole House	
<b>UL Approved</b>	Yes	
<b>NEMA 3R Rated</b>	Yes	

SUPPORT EVERY STEP OF THE WAY

NEED HELP? Just call 800-759-2744

Our technical support team is trained to answer questions on our generators, transfer switches and accessories.

CALL TODAY FOR A FREE IN-HOME ESTIMATE! 800-743-4115

Disclaimer: Not for Prime Power or use where standby systems are legally required, for serious life safety or health hazards, or where lack of power hampers rescue of fire-fighting operations.

<sup>1</sup> This generator is rated in accordance with UL (Underwriters Laboratories) 2200 (stationary engine generator assemblies) and CSA (Canadian Standards Association) standard C22.2 No. 100-14 (motors and generators).

\* Total length of piping from outlet of regulator to appliance furthest away.

Briggs & Stratton has a policy of continuous product improvement and reserves the right to modify its specifications at any time and without prior notice.

BRIGGS & STRATTON CORPORATION  
POST OFFICE BOX 702  
MILWAUKEE, WI 53201 USA

Copyright ©2017. All rights reserved.



YOU.POWERED.