

20kW¹ Fortress™ Standby Generator



FORTRESS™ The Smart Choice

Introducing our dealer exclusive line. Available at your local Briggs & Stratton Dealer with these great features:



Parts • Labor • Travel
Limited
Warranty

Unique Airflow Technology

- Making these models 50% quieter than most portable generators
- The unique design pushes engine exhaust out the front, directly away from your home

Flexible Placement

- Approved for installation as close as 18" to a building²

Symphony™ II Power Management System

- Customizable to your home's needs
- Automatically balances the power of your home's electrical load including high wattage items like air conditioning units and electric ovens
- Offers whole house power with a more affordable home generator

Quality Clean Power

- Ensures your electronics are safely powered

Commercial-Grade Briggs & Stratton Vanguard™ Engine

- Powerful V-Twin OHV engine
- Easy conversion between natural gas (NG) and liquid propane vapor (LPV) during installation

Corrosion Resistant Enclosure and Base Options:

- Automotive grade galvaneel steel enclosure and base
- Aluminum enclosure and stainless steel base certified to withstand hurricane-force winds up to 175 mph
- Both options utilize powder-coated paint for years of protection against chips and abrasions

Oil Warmer

- Ships with a pre-installed oil warmer ensuring smooth start-ups any time an outage occurs when the temperatures dip below freezing



Generator Set Rating

Model	Enclosure Type	Voltage	Phase ³	Hz	Breaker	Liquid Propane Vapor 125°C Standby Rating		Natural Gas 125°C Standby Rating		Limited Warranty ⁴
						kW ¹	Amps	kW ¹	Amps	Parts, Labor, Travel
040547	Galvaneel	120/240	1	60	100	20	83.3	18	75	6 Year
040573	Aluminum	120/240	1	60	100	20	83.3	18	75	6 Year

¹ This generator is rated in accordance with UL (Underwriters Laboratories) 2200 (stationary engine generator assemblies) and CSA (Canadian Standards Association) standard C22.2 No. 100-14 (motors and generators).

² The installation manual contains specific instructions related to generator placement in addition to NFPA 37, including the requirement that carbon monoxide detectors be installed and maintained in your home.

³ Single phase units are rated at 1.0 power factor and three phase units are rated at 0.8 power factor.

⁴ Warranty details available at www.briggsandstratton.com



Engine Specifications

Engine	
Engine Model	Briggs & Stratton Vanguard™
Engine Model Type Trim Number	613275-0003-E1
Engine Speed (RPM)	3600
Engine Fuel	Liquid Propane Vapor (LPV) or Natural Gas (NG)
Engine Cylinder Configuration	OHV
Number of Cylinders	2
Displacement (cc)	60.6 / 993
Bore & Stroke (in)	86 / 87
Compression Ratio	8.5:1
Governor Type	Electronic
Frequency Regulation	+/- 0.5%
Valves	OHV with Hardened Seats
Ignition System	Fixed Timing Magneto ¹ Electric Ignition
Starter Motor Rating Voltage	12 Volt
Battery	12 Volt

Lubrication	
Oil Capacity (oz)	79
Lubrication System	Full Pressure
Recommended Oil	5W30 Full Synthetic
Low Oil Pressure Sensor	Yes

Alternator Specs	
Manufacturer	Briggs & Stratton
Type	Self-Excited, Rotation Field
Voltage Regulator	Automatic
Insulation	Class F

Controller Features	
Hour Meter	Yes
LED Digital Display	Yes
Fault Code Display	Yes
Weekly Exerciser	Yes

Operations

	Fuel Consumption ²			
	50% Load		100% Load	
Liquid Propane Vapor	83 ft ³ / hr	2.31 gal / hr	135 ft ³ / hr	3.75 gal / hr
Natural Gas	187 ft ³ / hr	—	260 ft ³ / hr	—

Sound Rating At 7 Meters

64 dBA

Lowest measurement of 12 microphones around generator. Sound level measurement at other locations around generator may be different depending upon installation configuration.

¹ This generator is rated in accordance with UL (Underwriters Laboratories) 2200 (stationary engine generator assemblies) and CSA (Canadian Standards Association) standard C22.2 No. 100-14 (motors and generators).

² Fuel consumption rates are estimated based on normal operating conditions. Generator operation may be greatly affected by elevation and the cycling operation of multiple electrical appliances - fuel flow rates may vary depending on these factors.



Additional Information

Other Features

Enclosure Material	Galvanneal Steel or Aluminum
Overcrank Protection	Yes
Engine Warm Up (sec)	20 or 50 Automatic Transfer Switch Controlled
Engine Cool Down (min)	1
Response Time (sec)	26 or 56 Automatic Transfer Switch Controlled
Monitoring Options	Basic Wireless Monitor InfoHub™ Monitor
Continuous Battery Charging	Yes

Weight and Dimensions

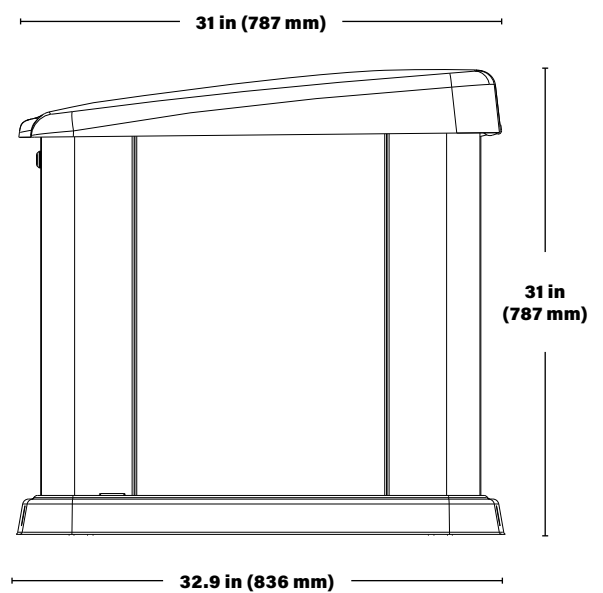
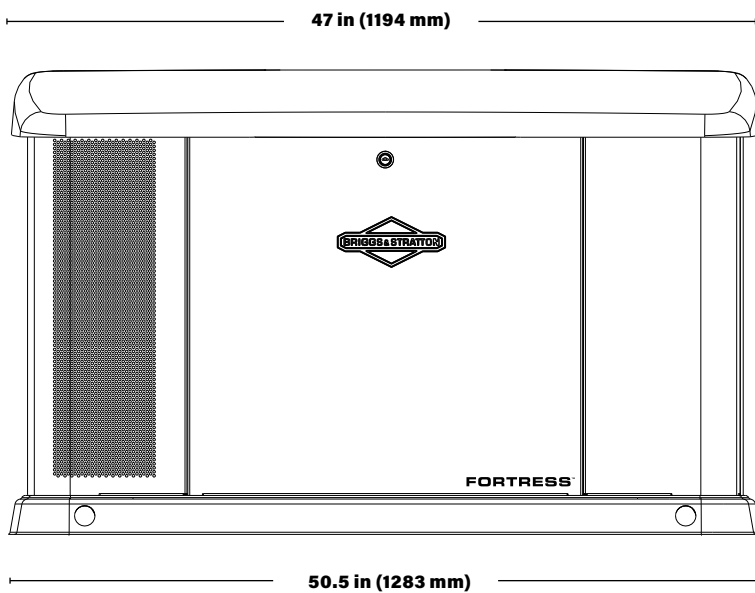
Assembled Weight (lbs / kg)	500 / 227
Overall Dimensions (in / mm)	50.5 x 32.9 x 31 / 1283 x 836 x 787
Packaged Weight (lbs / kg)	613 / 278
Packaged Dimensions (in / mm)	68.1 x 41 x 39.5 / 1730 x 1041 x 1003

Certification

CARB Compliant²	Conditions Apply
cUL Listed to CSA 22.2 NO 100-14	Yes
UL 2200 Listed	Yes
NEMA Compliant	Yes
EPA Certified Fuel System²	Yes

Available Accessories

Maintenance Kit	6035
Cold Weather Kit	6404
Basic Wireless Monitor	6276
InfoHub	6260
Remote Status Monitor	6144



¹ This generator is rated in accordance with UL (Underwriters Laboratories) 2200 (stationary engine generator assemblies) and CSA (Canadian Standards Association) standard C22.2 No. 100-14 (motor and generators).

² It is the responsibility of the owner / operator / installer to research and understand local code requirements where this unit will be installed and operated. This unit may require additional testing once it is installed. Contact local authorities to understand specific requirements.



Fuel Pipe Size Recommendation Chart (Capacity in Thousands of BTU/Hour)

Natural Gas / Inlet Pressure less than 2 PSI / Pressure Drop 1/2" Water Column / Specific Gravity 0.60

	1/2" pipe capacity	3/4" pipe capacity	1" pipe capacity	1-1/4" pipe capacity	1-1/2" pipe capacity	2" pipe capacity
20' Length ²	118	247	466	957	1,430	2,760
40' Length ²	81	170	320	657	985	1,900
60' Length ²	65	137	257	528	791	1,520
80' Length ²	56	117	220	452	677	1,300
100' Length ²	50	104	195	400	600	1,160

Liquid Propane Vapor / Inlet Pressure 11" Water Column / Pressure Drop 1/2" Water Column / Specific Gravity 1.50

	1/2" pipe capacity	3/4" pipe capacity	1" pipe capacity	1-1/4" pipe capacity	1-1/2" pipe capacity	2" pipe capacity
20' Length ²	200	418	788	1,617	2,423	4,666
40' Length ²	137	287	541	1,111	1,665	3,207
60' Length ²	110	231	435	892	1,337	2,575
80' Length ²	101	212	400	821	1,230	2,370
100' Length ²	101	212	400	821	1,230	2,370

Support every step of the way

Need help? Just call 800-759-2744

Our technical support team is trained to answer questions on our generators, transfer switches and accessories.

Call today for a FREE in-home estimate! 800-743-4115

¹ This generator is rated in accordance with UL (Underwriters Laboratories) 2200 (stationary engine generator assemblies) and CSA (Canadian Standards Association) standard C22.2 No. 100-14 (motors and generators).

² Total length of piping from outlet of regulator to appliance furthest away.

Briggs & Stratton has a policy of continuous product improvement and reserves the right to modify its specifications at any time and without prior notice.

Not for Prime Power or use where standby systems are legally required, for serious life safety or health hazards, or where lack of power hampers rescue of fire-fighting operations.

