

35kW¹ Fortress™ Standby Generator



FORTRESS™ The Smart Choice

Introducing our dealer exclusive line. Available at your local Briggs & Stratton Dealer with these great features:



Parts • Labor • Travel
Limited
Warranty

Corrosion Resistant Aluminum Enclosure

- Durable enclosures are built to last, protecting against extreme weather conditions and corrosion

Easy to Service

- Convenient internal swing open doors allow you to easily access the engine; no more taking apart the bolted finger guards, saving you precious time and the hassle of disassembly

Quality Clean Power

- Ensures your electronics are safely powered

Block Heater

- Ships with a pre-installed block heater ensuring smooth start-ups any time an outage occurs when the temperatures dip below freezing

Durable Industrial Engine

- Found in industrial applications, the premium industrial 1,800 RPM engine provides strong, reliable power without giving up quiet operation or durability



Generator Set Rating

Model	Voltage	Power Factor	Phase ²	Hz	Breaker	Liquid Propane Vapor 125°C Standby Rating		Natural Gas 125°C Standby Rating		Controller	Limited Warranty ³
						kW ¹ / kVA	Amps	kW ¹ / kVA	Amps		Parts, Labor, Travel
076830	120/240	1.0	1	60	175	35 / 35	146	32 / 32	133	Briggs & Stratton	6 Year

¹ This generator is rated in accordance with UL (Underwriters Laboratories) 2200 (stationary engine generator assemblies) and CSA (Canadian Standards Association) standard C22.2 No. 100-14 (motor and generators),

² Single phase units are rated at 1.0 power factor and three phase units are rated 0.8 power factor

³ Warranty details available at www.briggsandstratton.com



Engine Specifications

Engine	
Engine Model	4.3L Industrial Powertrain
Engine Type	6 Cylinder, 4-Cycle
Engine Speed (RPM)	1800
Engine Fuel	Liquid Propane Vapor (LPV) or Natural Gas (NG)
Induction System	Naturally Aspirated
Air Filter Type	Dry
Displacement (cc / L)	4294 / 4.3
Compression Ratio	9.8:1
Freq Reg NL to FL	Isochronous
Block Heater	Included
Governor Type	Electronic
Frequency Regulation	+ / - 0.5%
Starter Motor Rated Voltage	12 Volt
Warranty	3 Years
Battery (VDC / CCA)	12 Volt / 775
Engine Output Deratings	
Rated Temperature	77°F / 25°C
Temperature Derate	1.5% for Every 10°F (5.6°C) Above Rated Temperature
Rated Altitude	1200 ft (366 m) Above Sea Level
Altitude Derate	2.5% for Every 1000 ft (305 m) Above Rated Altitude

Lubrication	
Oil Capacity (qt / L)	4.5 / 4.3
Oil Capacity with Filter (qt / L)	5.0 / 4.7
Oil Filter (Quantity / Type)	1 / Spin-on
Lubrication System	Full Pressure
Recommended Oil	API GF-4 10W30

Alternator Specs	
Type	4-Pole, Rotating Field
Voltage Regulator	Solid State, Volts / Hz
Insulation (Rating)	Class H
Designed Temperature Rise Limit	257°F / 125°C
Bearing (Quantity / Type)	1 / Sealed
Voltage Reg NL to FL	+ / - 1.0%
Frequency Compensation	8V / Hz Voltage Drop Below 55 Hz

Fuel System	
Recommended Fuel LP min LHV (BTU/ft³)	2238
NG min LHV (BTU/ft³)	904
Fuel Supply Pressure (in H₂O)	7-11
Fuel Supply Line at Engine (NPT)	1 in

Operations

	Fuel Consumption ²			
	50% Load		100% Load	
Liquid Propane Vapor	102 ft ³ / hr	2.8 gal / hr	160 ft ³ / hr	4.4 gal / hr
Natural Gas	253 ft ³ / hr	253,000 BTU / hr	394 ft ³ / hr	394,000 BTU / hr

Sound Rating at 7 Meters
67 dBA

Lowest measurement of 12 microphones around generator. Sound level measurement at other locations around generator may be different depending upon installation configuration.

¹ This generator is rated in accordance with UL (Underwriters Laboratories) 2200 (stationary engine generator assemblies) and CSA (Canadian Standards Association) standard C22.2 No. 100-14 (motor and generators).

² Fuel consumption rates are estimated based on normal operating conditions. Generator operation may be greatly affected by elevation and the cycling operation of multiple electrical appliances – fuel flow rates may vary depending on these factors.



Additional Information

Other Features

Enclosure Material Corrosion-Resistant Aluminum

Weight and Dimensions

Assembled Weight (lbs / kg) 1540 / 700

Overall Dimensions (in / mm) 91 x 39.4 x 41 / 2311 x 1001 x 1041

Packaged Weight (lbs / kg) 1940 / 880

Packaged Dimensions (in / mm) 104 x 51 x 48 / 2642 x 1295 x 1219

Certification

CARB Compliant² Conditions Apply

UL Listed to 2200 Yes

cUL Listed to CSA 22.2 NO 100-14 Yes

NEMA Compliant Yes

EPA Certified Fuel System² Yes

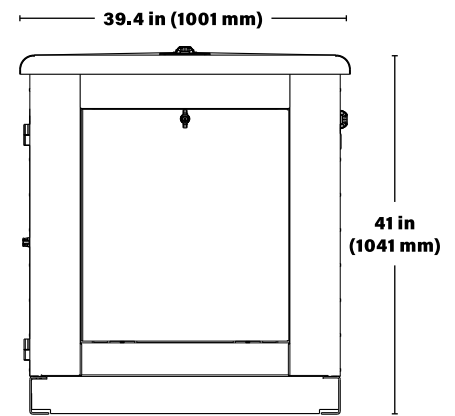
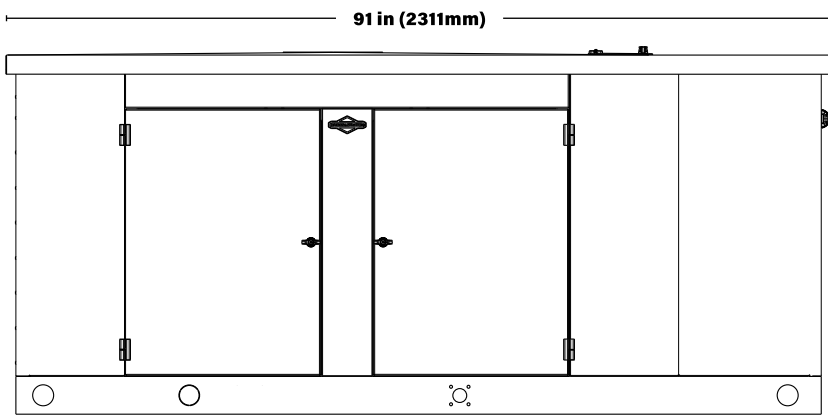
Available Accessories

Battery Warmer 6343

Basic Wireless Monitor 6264

InfoHub 6260

Remote Status Monitor 6144



Standard Controller



Briggs & Stratton® Standard AMF Controller for Single Phase

- User-friendly control panel for troubleshooting
- Conveniently monitors diagnostic conditions, displays system fault codes and sets weekly exercise cycle
- Easy-to-read alpha-numeric scrolling display
- Single-phase generator application only
- UL recognized

¹ This generator is rated in accordance with UL (Underwriters Laboratories) 2200 (stationary engine generator assemblies) and CSA (Canadian Standards Association) standard C22.2 No. 100-14 (motor and generators).

² It is the responsibility of the owner / operator / installer to research and understand local code requirements where this unit will be installed and operated. This unit may require additional testing once it is installed. Contact local authorities to understand specific requirements.



Fuel Pipe Size Recommendation Chart (Capacity in Thousands of BTU/Hour)

Natural Gas / Inlet Pressure Less Than 2 PSI / Pressure Drop 1/2" Water Column / Specific Gravity 0.60

	1/2" pipe capacity	3/4" pipe capacity	1" pipe capacity	1-1/4" pipe capacity	1-1/2" pipe capacity	2" pipe capacity
20' Length ²	118	247	466	957	1,430	2,760
40' Length ²	81	170	320	657	985	1,900
60' Length ²	65	137	257	528	791	1,520
80' Length ²	56	117	220	452	677	1,300
100' Length ²	50	104	195	400	600	1,160

Liquid Propane Vapor / Inlet Pressure 11" Water Column / Pressure Drop 1/2" Water Column / Specific Gravity 1.50

	1/2" pipe capacity	3/4" pipe capacity	1" pipe capacity	1-1/4" pipe capacity	1-1/2" pipe capacity	2" pipe capacity
20' Length ²	200	418	788	1,617	2,423	4,666
40' Length ²	137	287	541	1,111	1,665	3,207
60' Length ²	110	231	435	892	1,337	2,575
80' Length ²	101	212	400	821	1,230	2,370
100' Length ²	101	212	400	821	1,230	2,370

Support every step of the way

Need help? Just call 800-759-2744

Our technical support team is trained to answer questions on our generators, transfer switches and accessories.

Call today for a FREE in-home estimate! 800-743-4115

¹ This generator is rated in accordance with UL (Underwriters Laboratories) 2200 (stationary engine generator assemblies) and CSA (Canadian Standards Association) standard C22.2 No. 100-14 (motor and generators).

² Total length of piping from outlet of regulator to appliance farthest away.

Briggs & Stratton has a policy of continuous product improvement and reserves the right to modify its specifications at any time and without prior notice.

Not for Prime Power or use where standby systems are legally required, for serious life safety or health hazards, or where lack of power hampers rescue of fire-fighting operations.

